

Service Document Exchange Set

CDP 440

**Service
Manual**

**Sicherheit
Safety**

Materialnr./Part No.
72010 800 0000



Es gelten die Vorschriften und Sicherheitshinweise gemäß dem Service Manual "Sicherheit", Materialnummer 72010 800 0000, sowie zusätzlich die eventuell abweichenden, landesspezifischen Vorschriften!



The regulations and safety instructions shall be valid as provided by the "Safety" Service Manual, part number 72010 800 0000, as well as the respective national deviations.

Disassembly Instructions

General Hint:

Mark the connectors before pulling them off because they may easily be confused because of the great number of identical connectors. When reassembling take care, for safety reasons, that the cables are laid in their original position.

Opening REAR CABINET

- Undo 6 screws (A) (Fig. 1)
- Remove the REAR CABINET with CD MECH. & PCB (B) (Fig. 2)

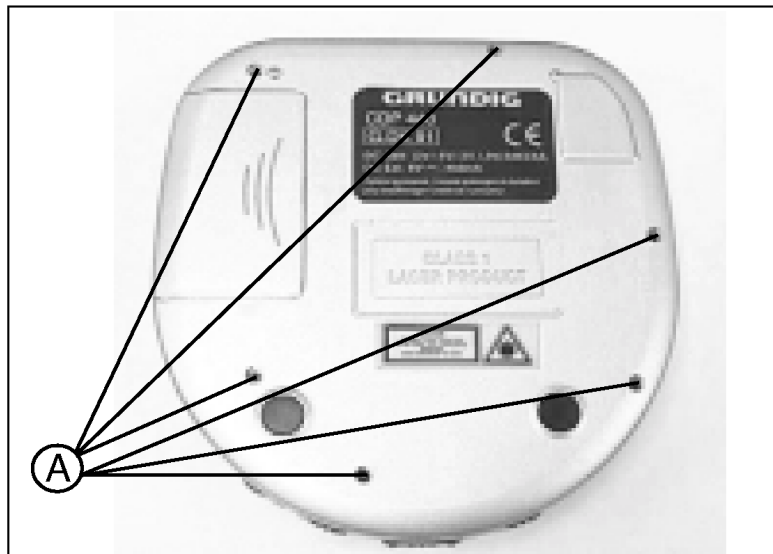


Fig. 1

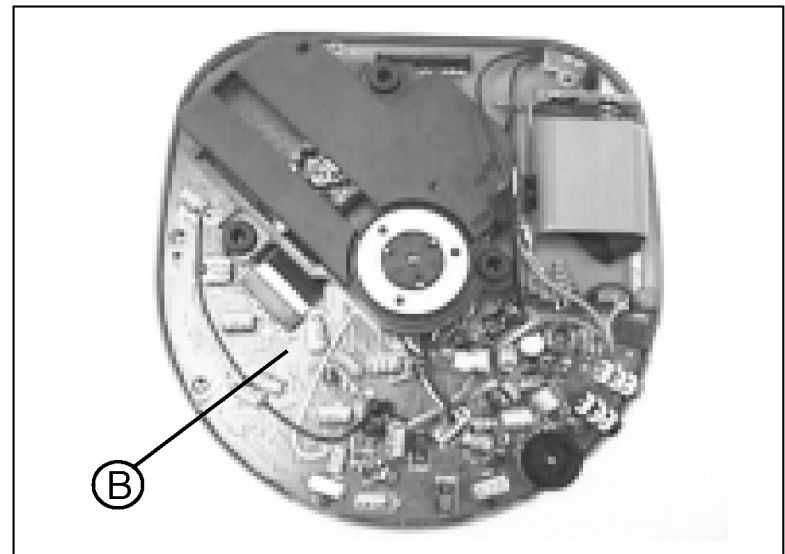


Fig. 2

Remove the CD MECHANISM

- Disconnect the connector CN1 and CN2 (C) (Fig. 3)
- Remove the CD Mechanism. (Fig. 4)

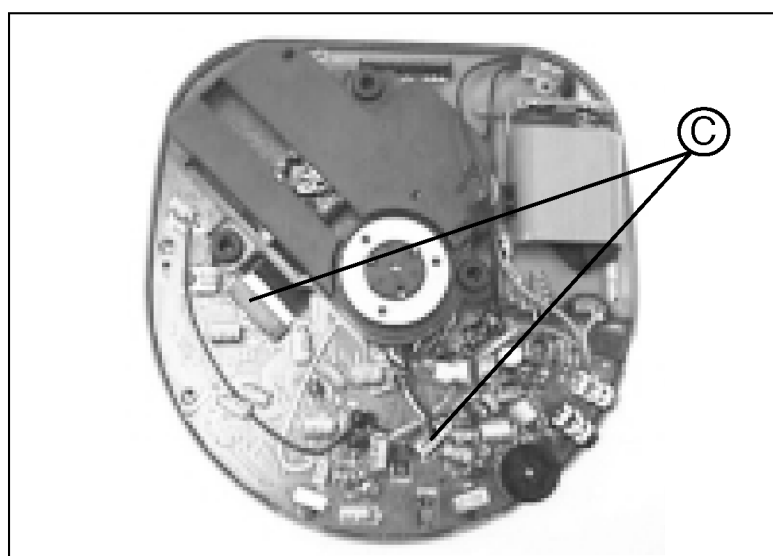


Fig. 3

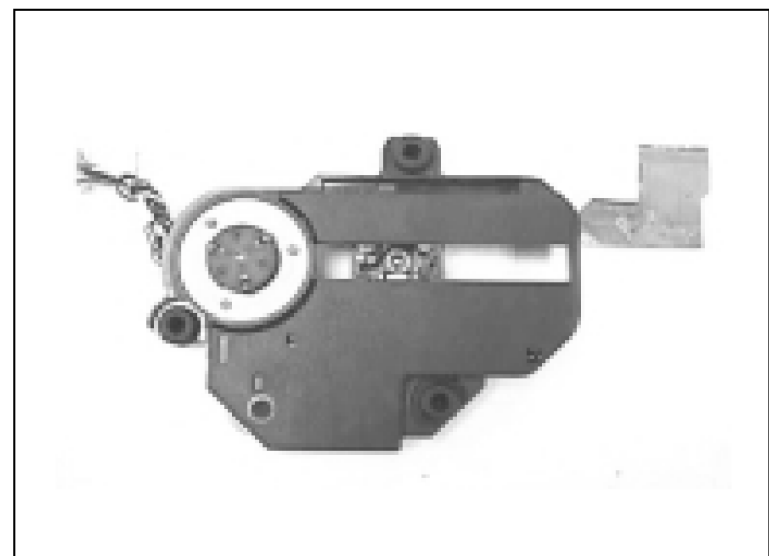


Fig. 4

Remove CD door switch board

- Undo 1 screw ① (Fig. 5)
- Remove CD door switch board ② (Fig. 5)

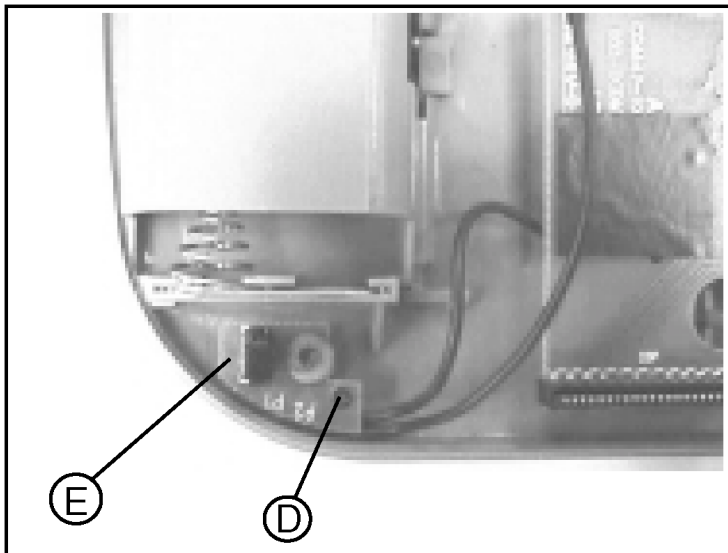


Fig. 5

Remove Main board

- Remove the CD Mechanism.(Fig. 4)
- Remove Main Board ③ (Fig. 6)

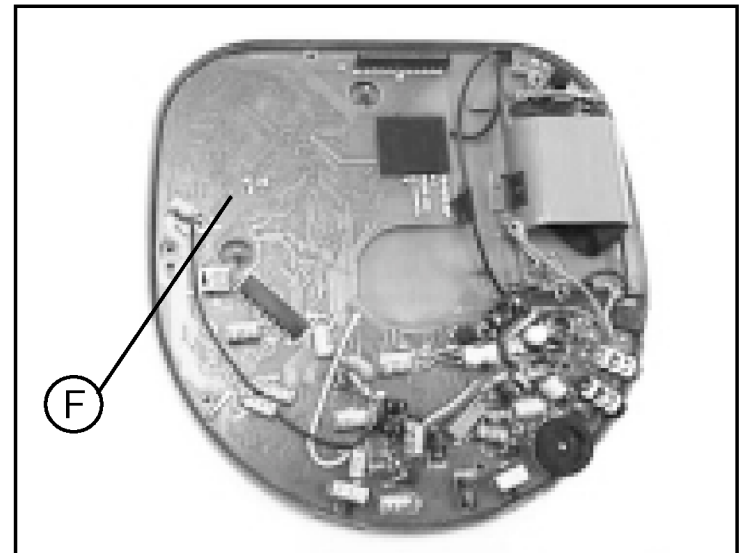


Fig. 6

Remove CD SLED MOTOR

- Remove the CD MECHANISM (Fig. 4)
- Undo 1 screws ④ (Fig. 7)
- Remove SLED MOTOR (Fig.8)

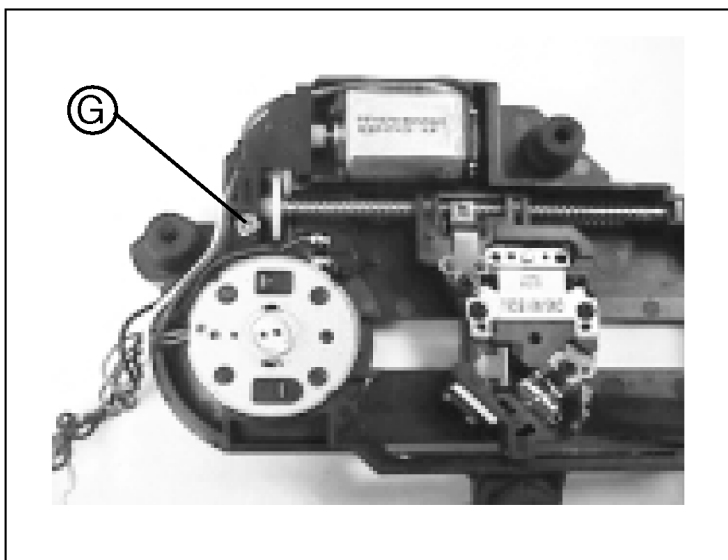


Fig. 7

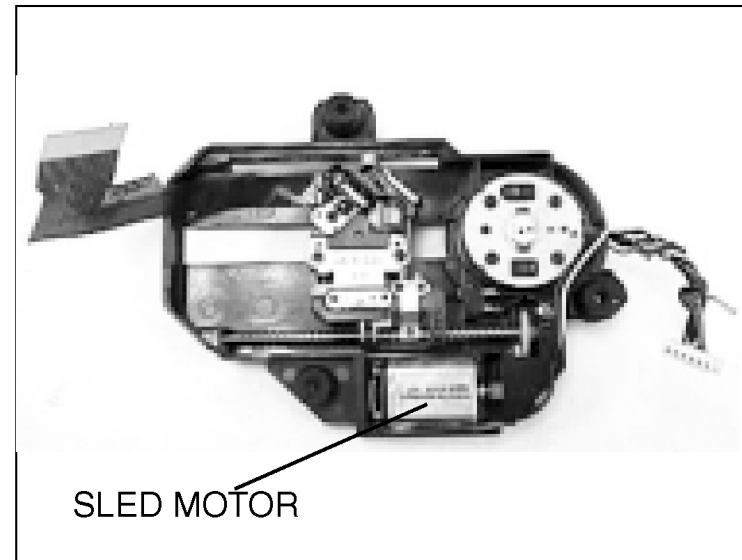


Fig. 8

Remove CONTROL Board

- Undo 7 screws ⑤ (Fig.9)
- Remove Control Board.

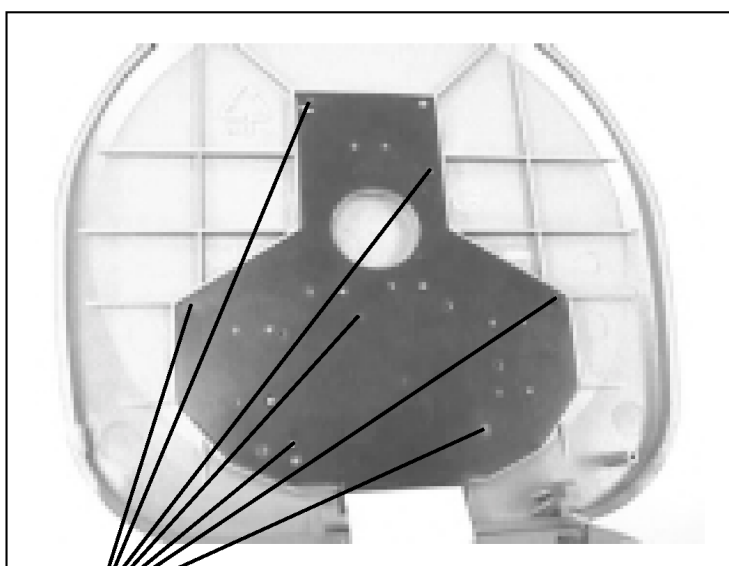


Fig. 9

Remove SPRING COVER PLATE

- Undo 1 screws ⑥ (Fig. 9)
- Remove SPRING COVER PLATE

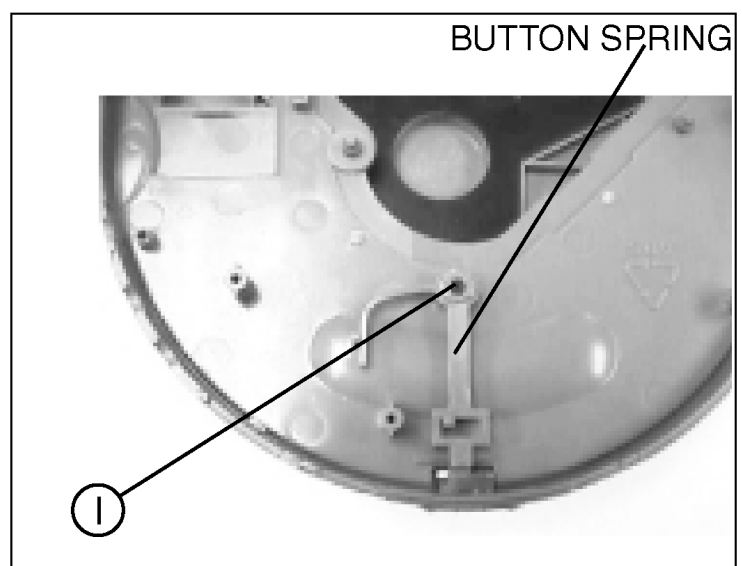


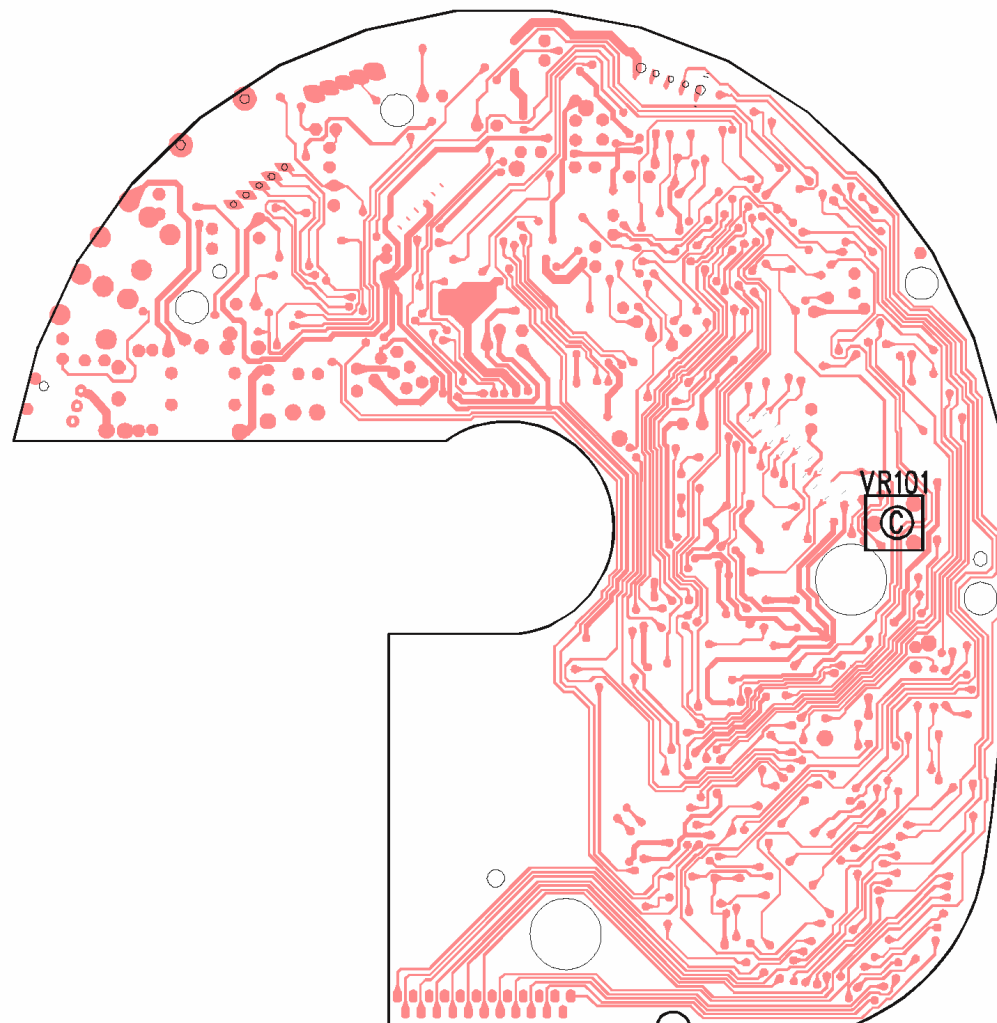
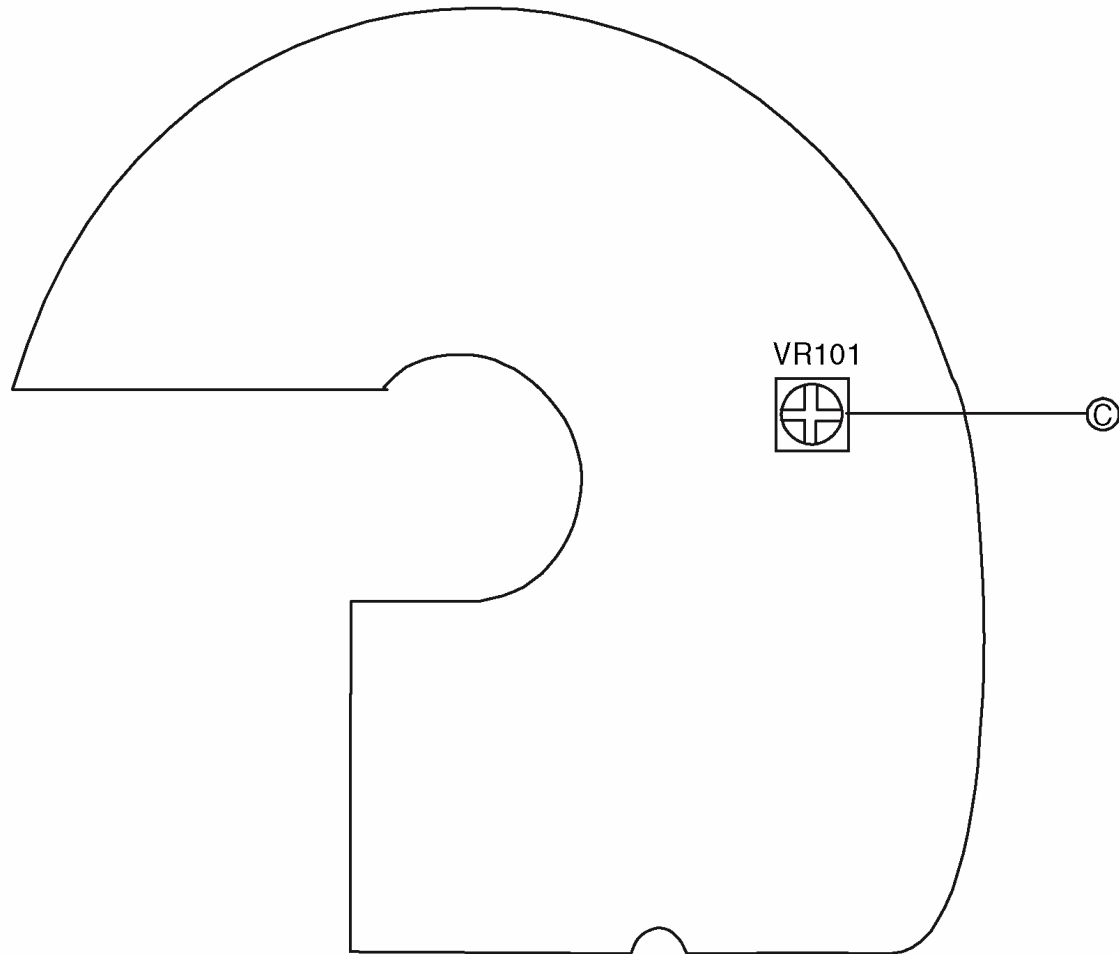
Fig. 10

Adjustment Procedures

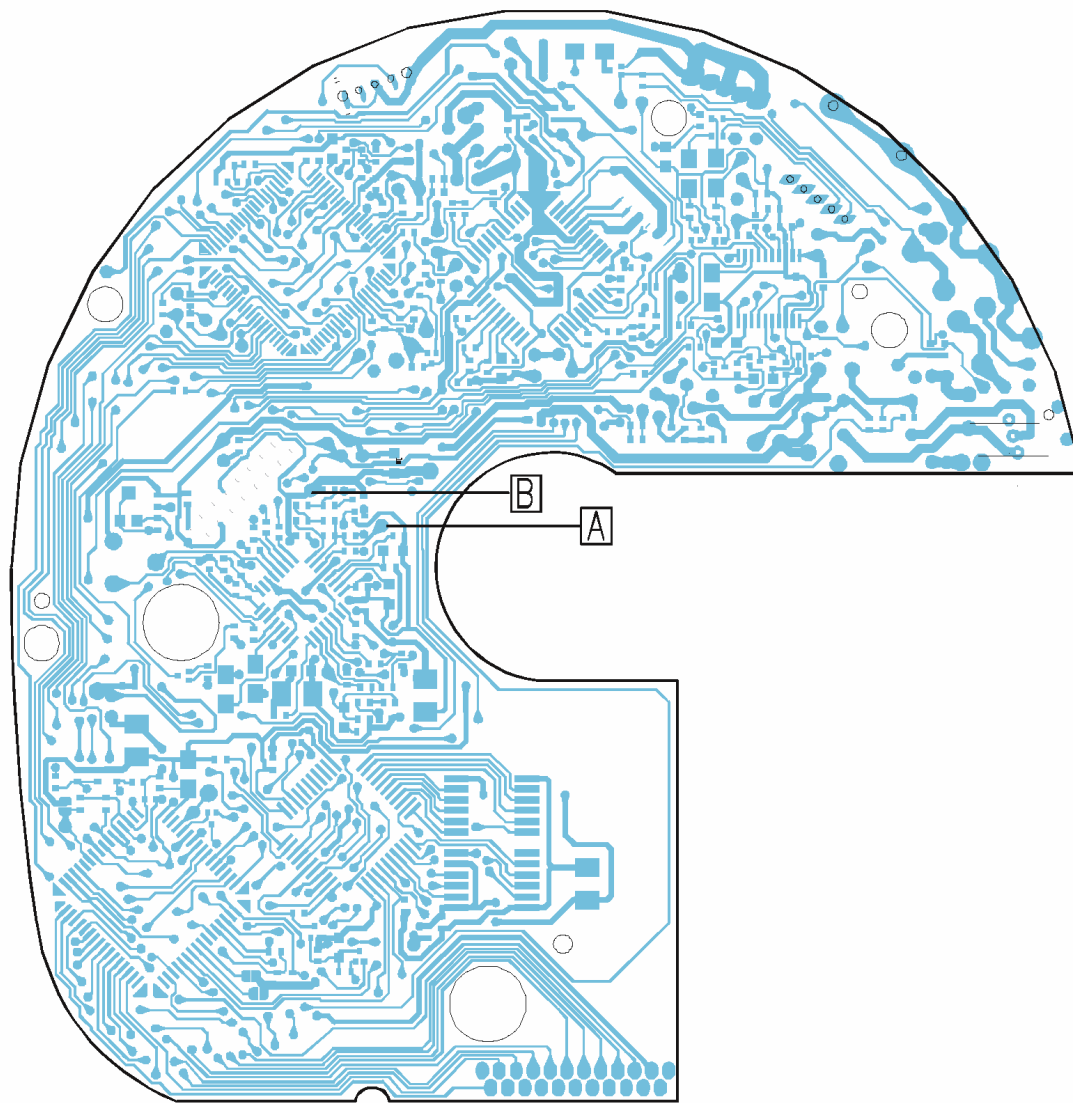
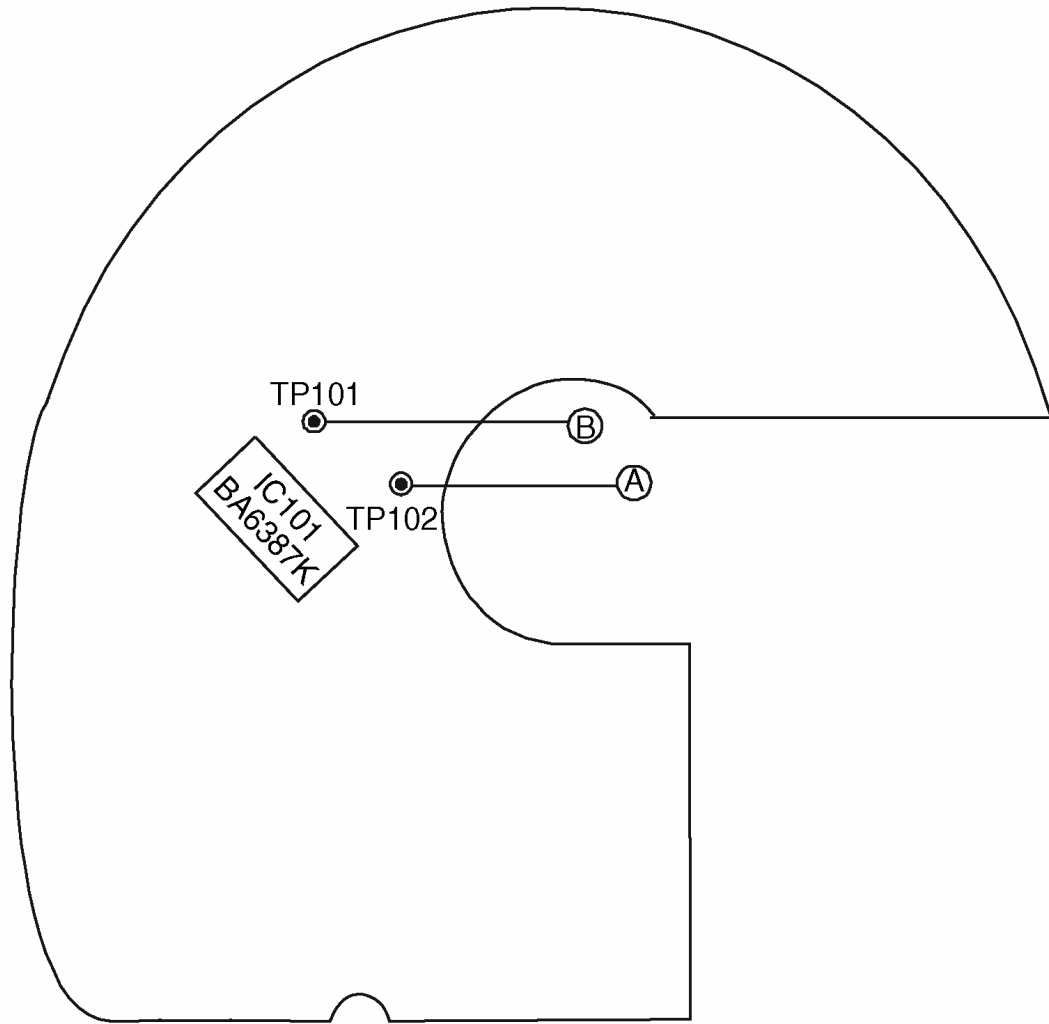
Test Equipment: Oscilloscope, Test disc (TCD-782)

Adjustment	Preparation	Adjustment Procedure
1. RF	Connect oscilloscope to test point (A) and VREF (B)	Set the function to CD. Load test disc TCD-782 and play the second track. Adjust VR101 (C) so that RF waveform is maximum.

Alignment Layout ,CD Portion

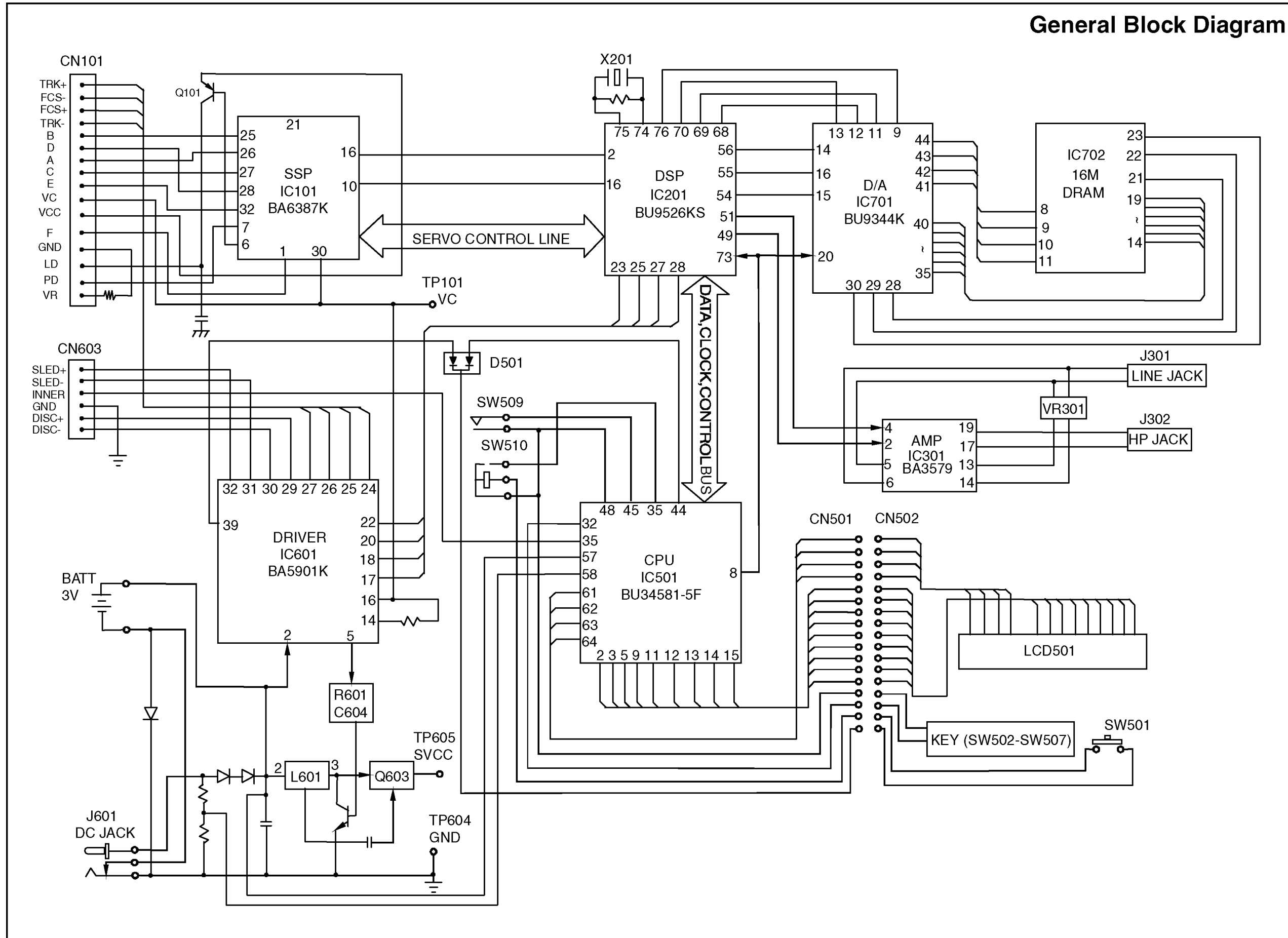


TOP VIEW

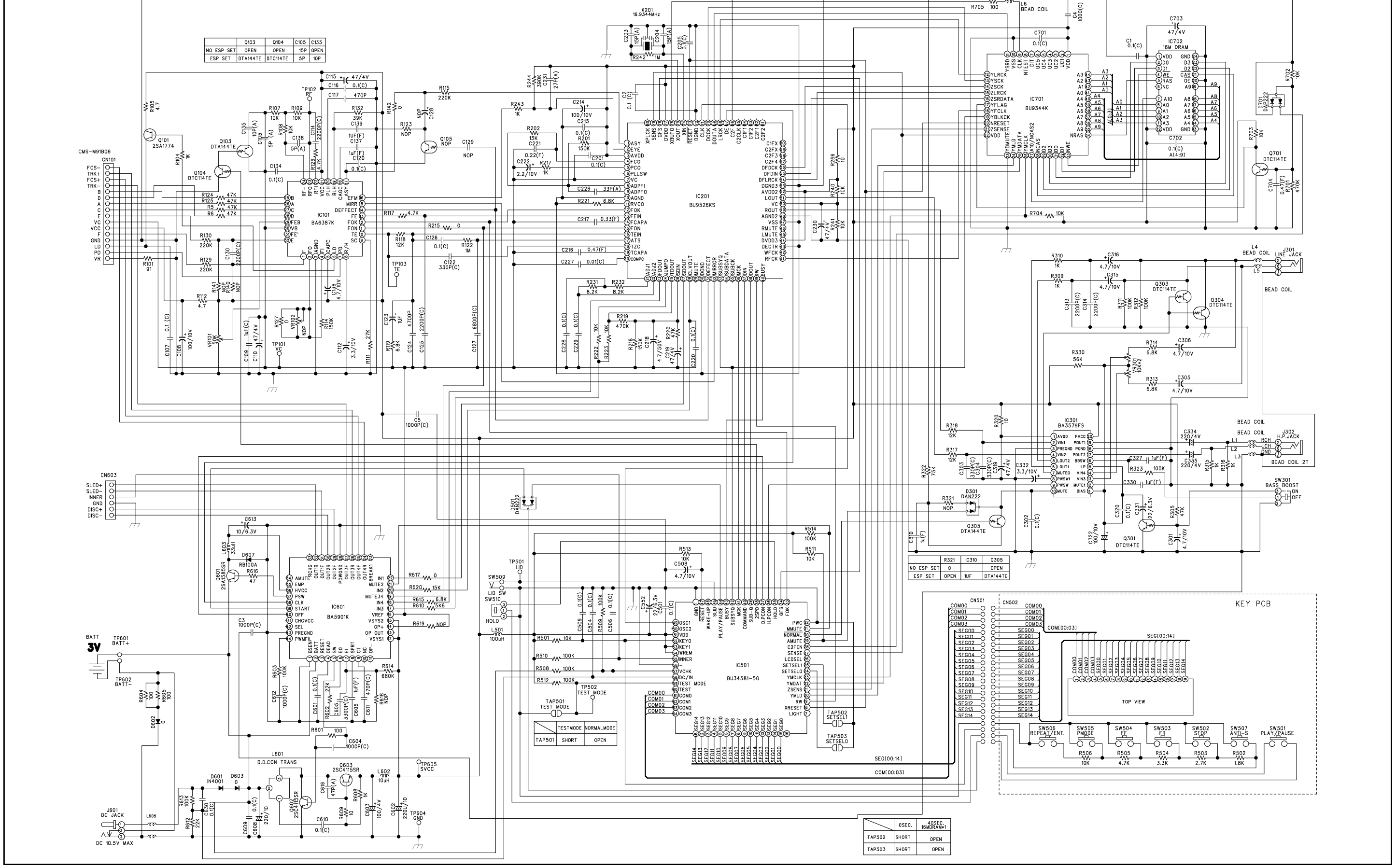


BOTTOM VIEW

General Block Diagram

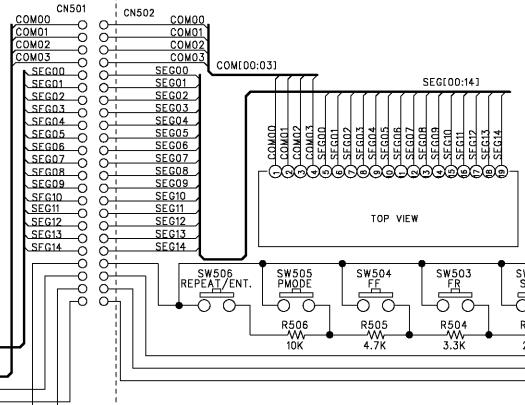


Circuit Diagrams Main Unit



	Q103	Q104	C105	C135
NO ESP SET	OPEN	OPEN	15P	OPEN
ESP SET	DTA144TE	DTCH14TE	5P	10P

	R321	C310	Q305
NO ESP SET	0	OPEN	
ESP SET	OPEN	10F	DTA144TE

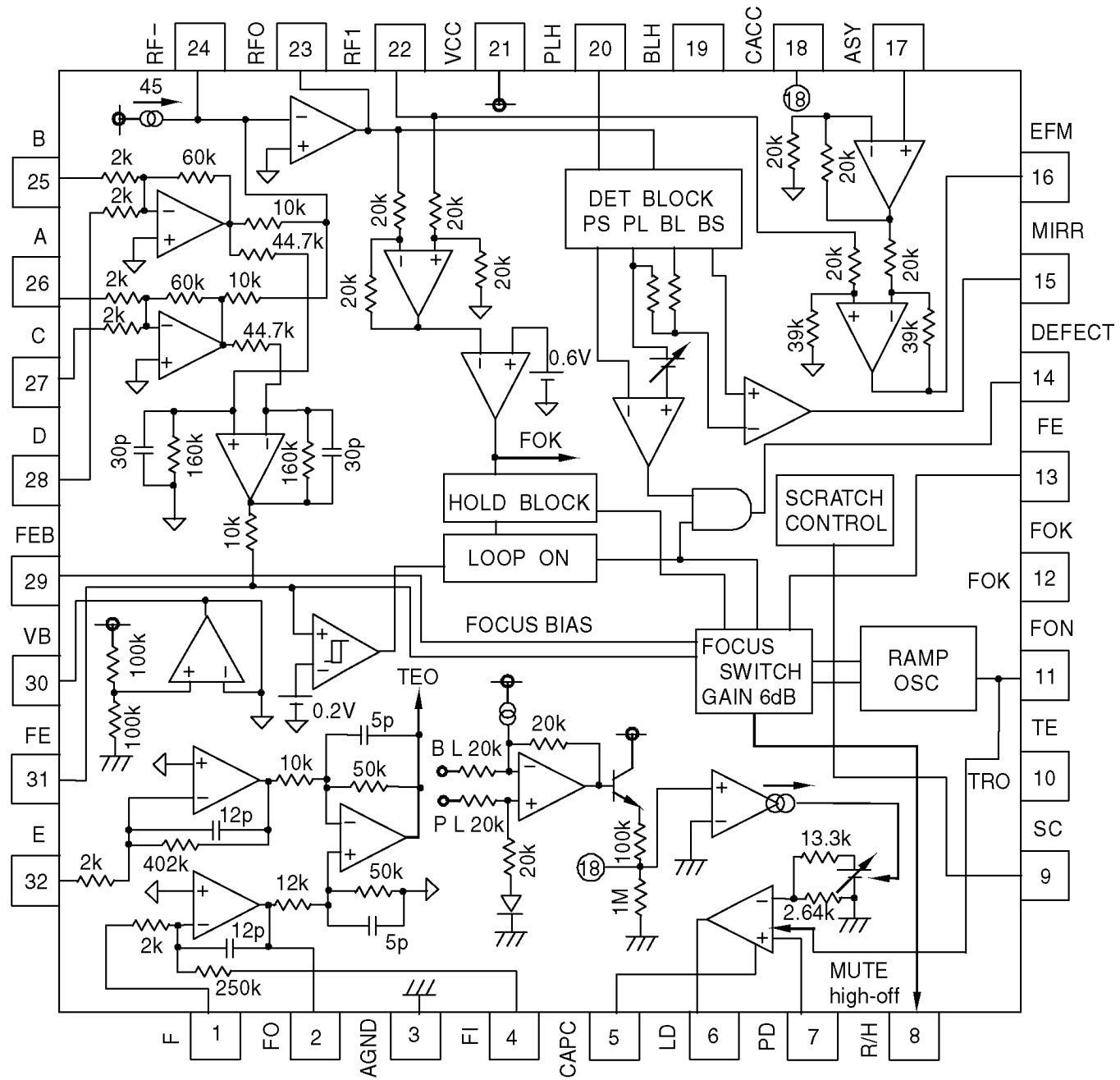


	0SEC.	10SEC.
TAP502	SHORT	OPEN
TAP503	SHORT	OPEN

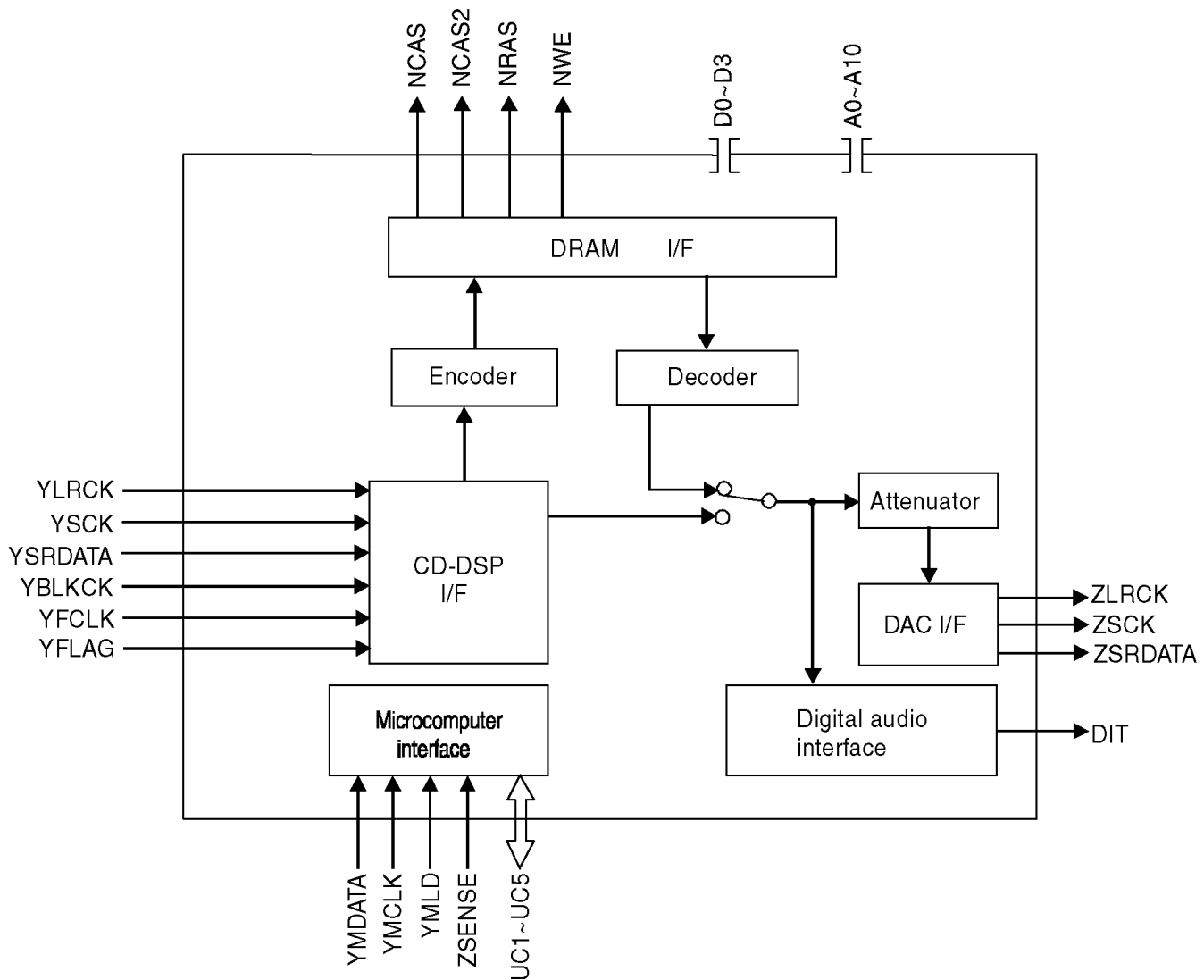
BA5901K TERMINAL DESCRIPTION

Pin No.	Pin Name	Function
1	BSEN	Battery voltage monitor terminal
2	BATT	Battery power supply input terminal
3	RESET	Cassette detection output terminal
4	DEAD	Dead-time setting terminal
5	SW	Booster transistor drive terminal
6	EO	Error amplifier output terminal
7	EI	Error amplifier input terminal
8	SPRT	Short-circuit protection setting terminal
9	CT	Triangular wave output terminal
10	N.C	
11	OP-	Operational amplifier negative input terminal
12	VSYSI	Control circuit power supply input terminal
13	OPOUT	Operational amplifier output terminal
14	OP+	Operational amplifier positive input terminal
15	VSYS2	Pre-driver power supply input terminal
16	VREF	Reference power supply input terminal
17	IN3	CH3 control signal input terminal
18	IN4	CH4 control signal input terminal
19	MUTE34	CH3/CH4 mute terminal
20	IN2	CH2 control signal input terminal
21	MUTE2	CH2 mute terminal
22	IN1	CH1 control signal input terminal
23	BRAKE1	CH1 brake terminal
24	OUT4R	CH4 negative output
25	OUT4F	CH4 positive output
26	OUT3R	CH3 negative output
27	OUT3F	CH3 positive output
28	POWGND	Power unit power supply ground
29	OUT2F	CH2 positive output
30	OUT2R	CH2 negative output
31	OUT1F	CH1 positive output
32	OUT1R	CH1 negative output
33	RCHG	Charging current setting terminal
34	AMUTE	Reset inversion output terminal
35	EMP	"Empty" detection output terminal
36	HVCC	H-bridge power supply input terminal
37	PSW	PWM transistor drive terminal
38	CLK	External clock synchronization input terminal
39	START	Boost DC/DC converter starting terminal
40	OFF	Boost DC/DC converter OFF terminal
41	CHGVCC	Charging circuit power supply input terminal
42	SEL	"Empty" detection level switching terminal
43	PREGND	Pre-unit power supply ground terminal
44	PWMFIL	PWM phase compensation terminal

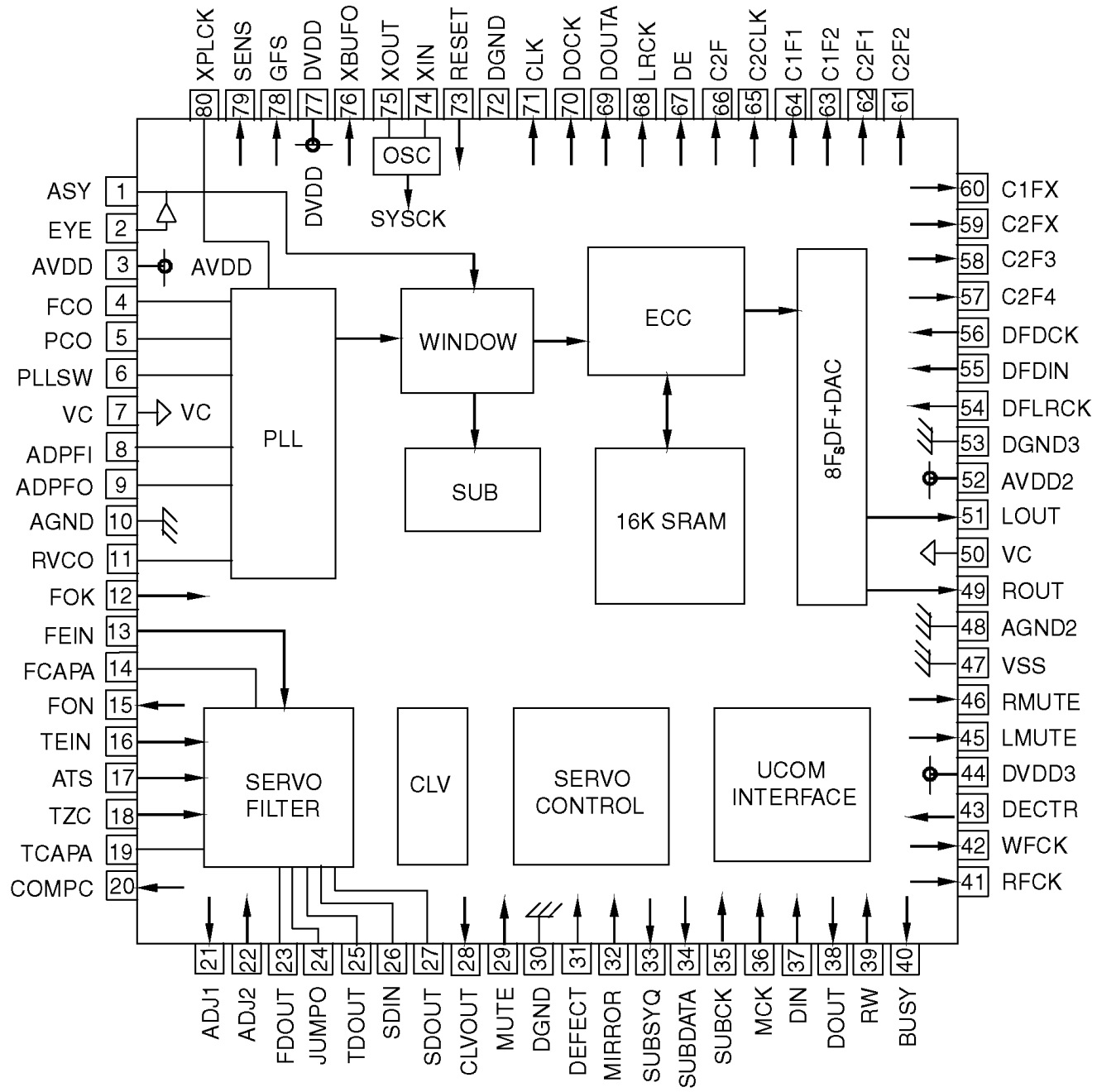
BA6387K



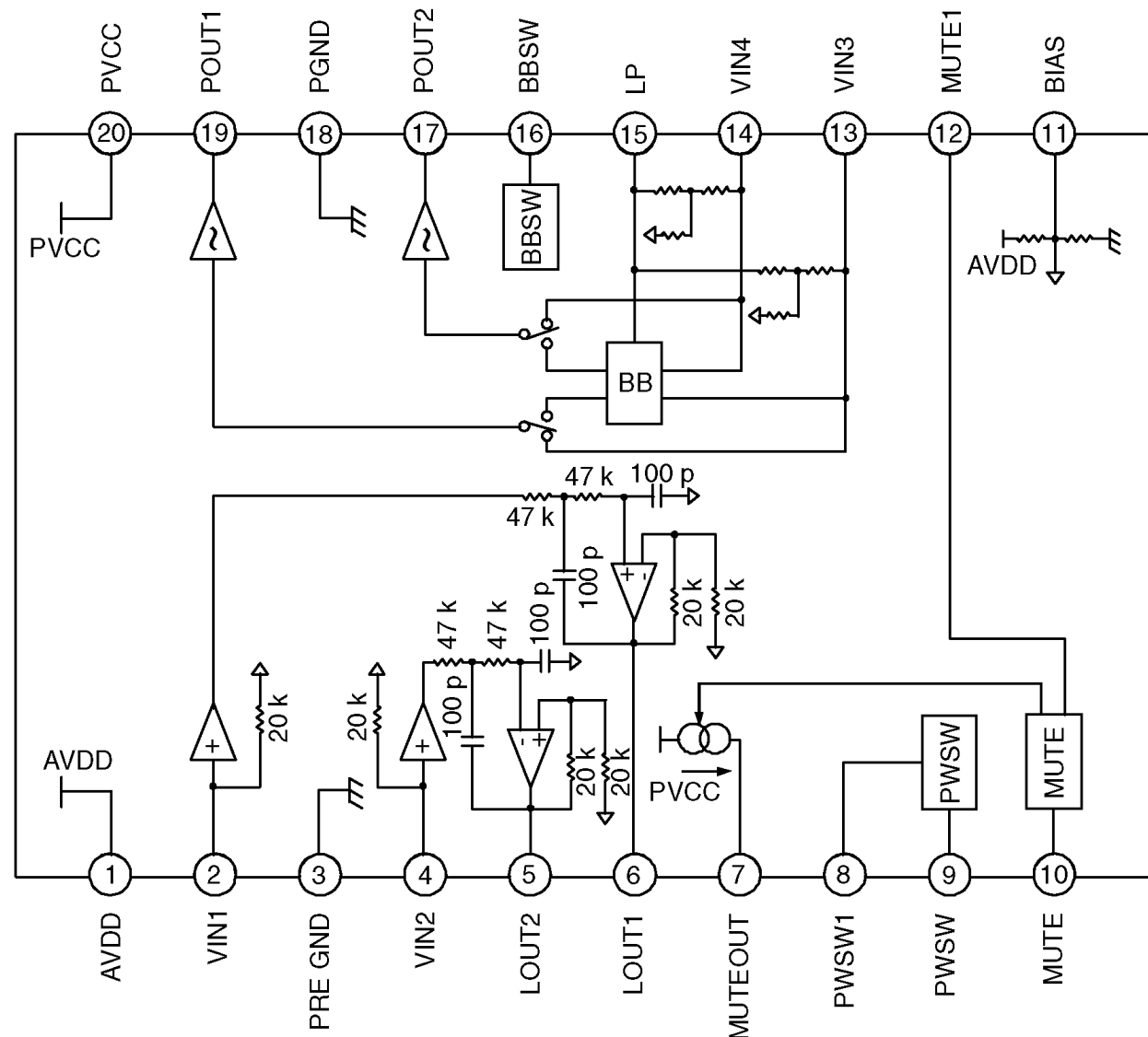
BU9346K

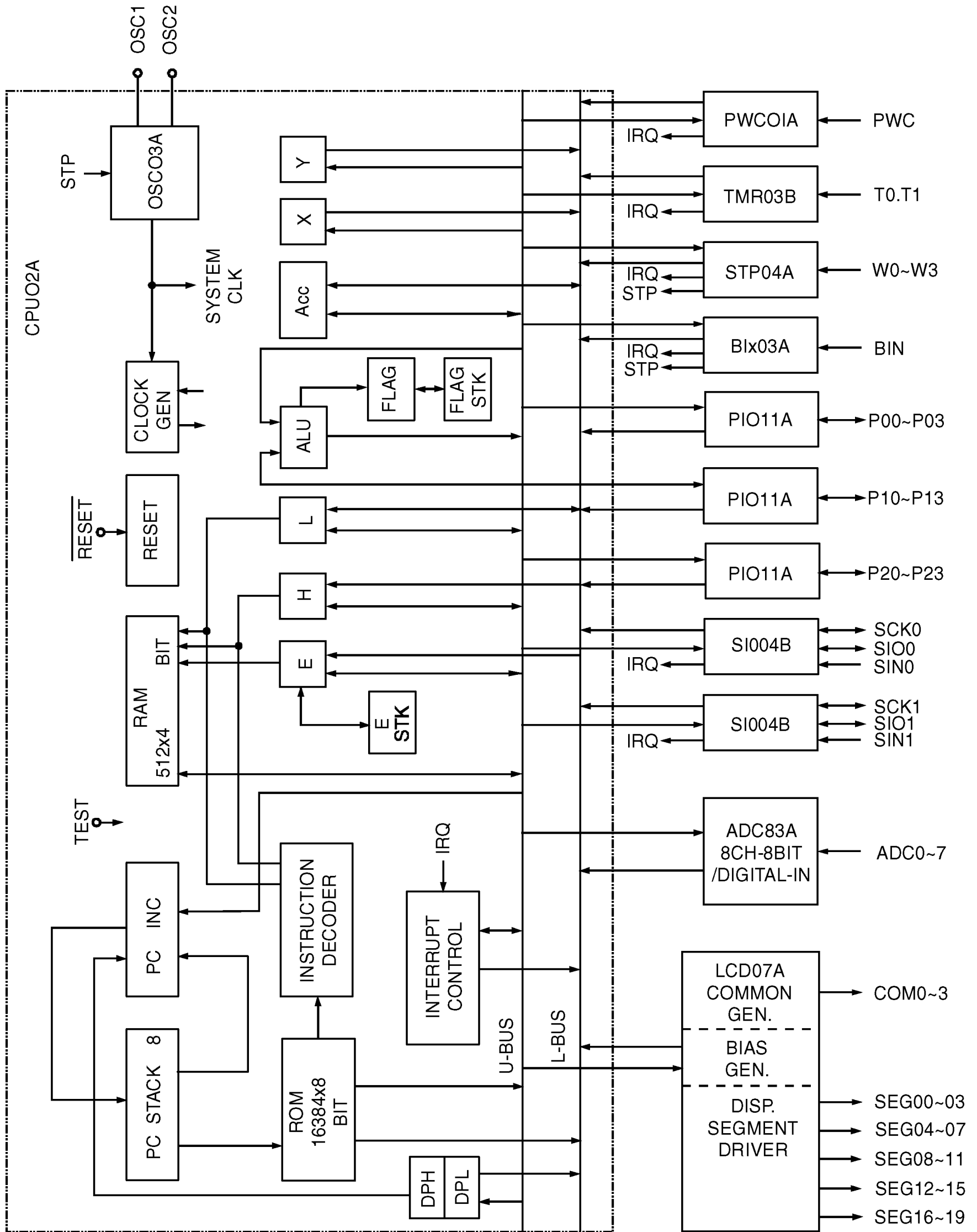


BU9526KS

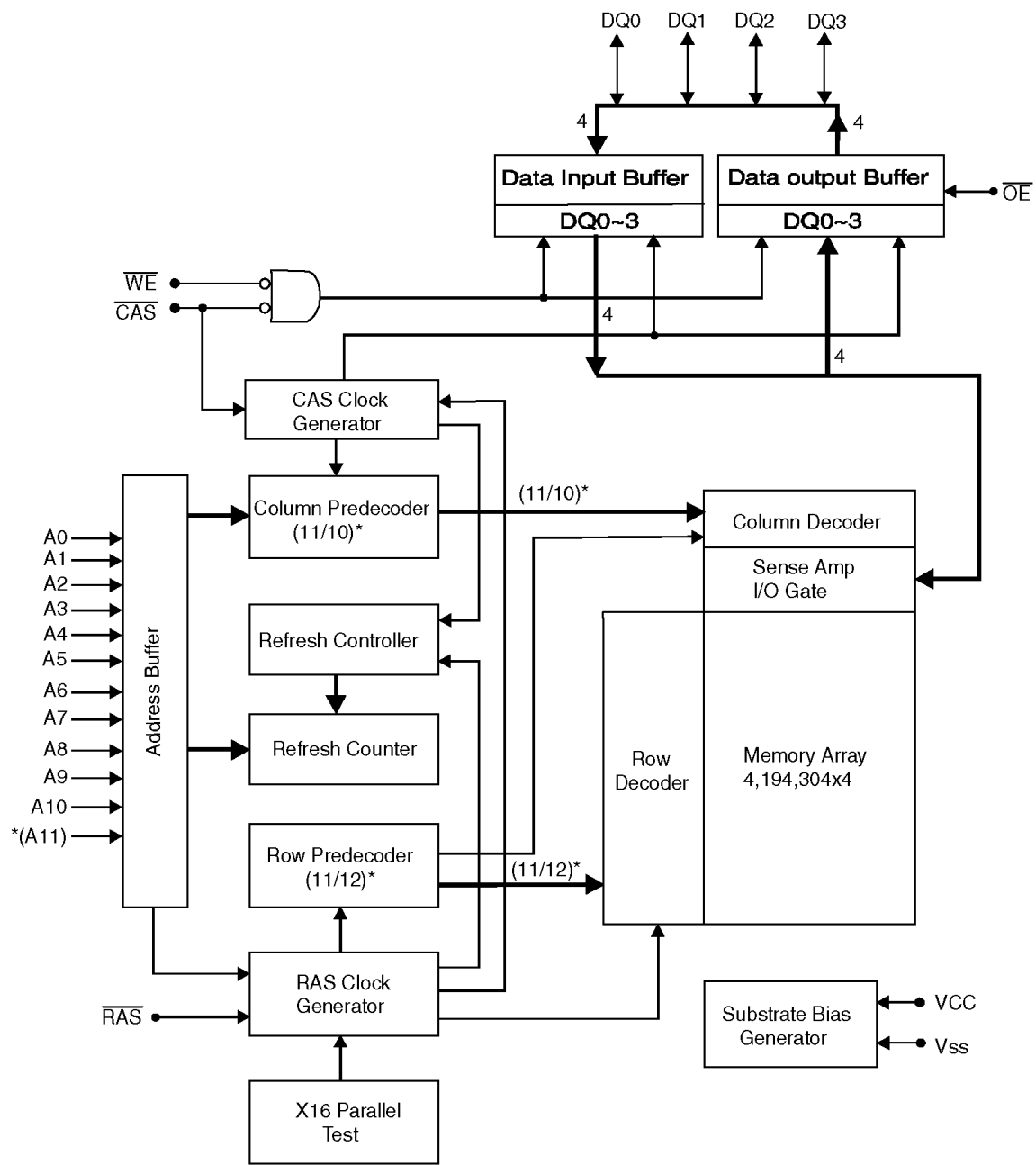


BA3579FS

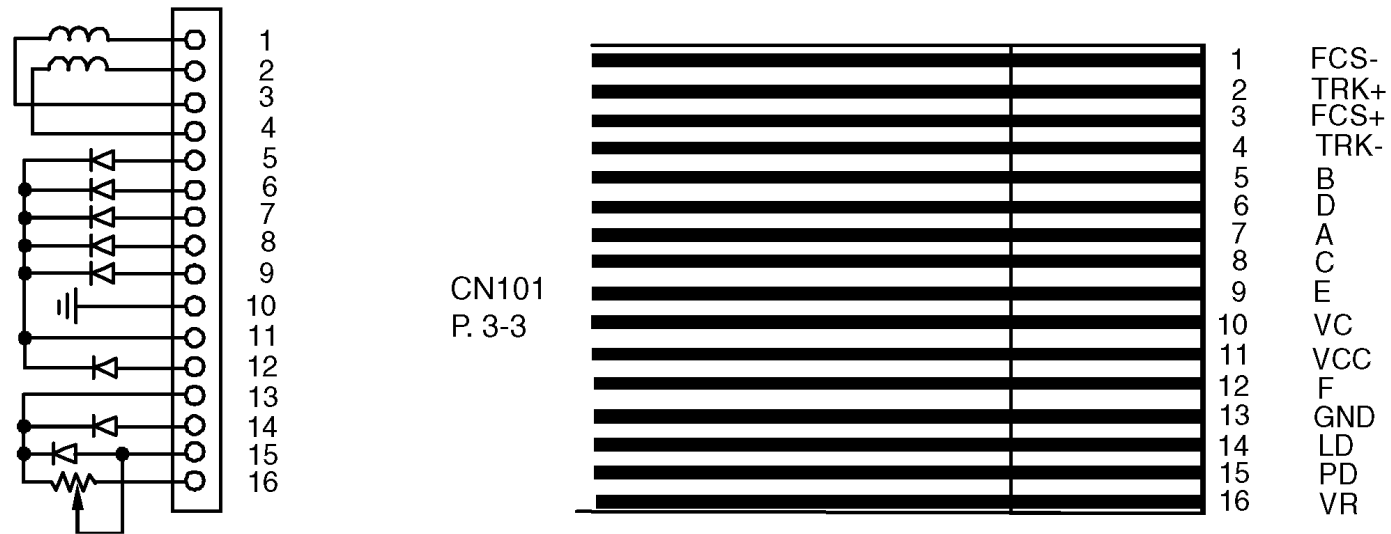




HY5117404B



Circuit Diagram Pick Up Unit



Display

